

remote control retractable hose reel systems

QUIK CORP

INSTRUCTION MANUAL

12 Volt Reels



MODEL 12VS

QUIK REEL

Quik Corp Pty Ltd Ph: 07 5493 8944 Fax: 07 5493 8957 www.quikcorp.biz

Manufacturer of

QUIKBLAST

QUIKSPRAY

QUIKREEL

CONGRATULATIONS

Quik Corp would like to thank you for investing in this remote control retractable hose reel. Our speciality hose reels are manufactured to the highest standard of quality to give our customer the best product possible which will be backed by the best possible service.

This instruction manual should be considered a permanent part of your Quik Corp unit and should remain with it at all times.

THIS MANUAL COVERS THE OPERATION AND MAINTENANCE OF 12 VOLT MODELS. _

IMPORTANT

Read this instruction manual carefully before attempting to operate the unit.

No part of this manual may be reproduced without written permission.

All information in this manual is based on the latest product information available at the time of printing.



Contents

UNPACKING	4
SET UP	4
FIG 1.2	5
BASIC OPERATION	6
OPERATING HINTS	6
MAINTENANCE	7
TROUBLESHOOTING	7

***NOTE - MODEL 12VS**

This unit is only designed to rewind the hose & should not be used to support the weight of the operator or pull other equipment when retracting.

When you write or call Quik Corp about any problem, please give us this information:

- > Model and serial number
- > Who the unit was purchased from
- > Date of purchase
- > Your name, address and telephone number
- > A detailed description of the problem

UNPACKING

When unpacking your new Quik Corp unit check thoroughly for any transport damage, and that all parts, accessories and extras are included.

1. Aerial.
2. Transmitter.
3. Instruction manual.
4. Accessories as ordered.

WARNING: READ THIS MANUAL CAREFULLY BEFORE USING UNIT

SET UP

Mount machine securely by bolting through both mounting lugs located front and rear of unit. Ensure minimum of 50mm clearance from sides to prevent damage.

Connect pressure hose from existing pump unit to Quik Corp reel swivel. (Test for leaks)

Fit aerial to mounting base, (3) and tighten. CAUTION. Do not over-tighten, as a break in the coaxial cable may result.

Connect spray hand piece of your choice to hose and adjust hose stopper (13) approximately 1 metre from gun.

Connect 2 leads from connecting block (4) to 12V battery: Red (+) and Black (-). Leads should be at least 3/8" starter cable or larger. For best results use a fully charged heavy duty battery, 70AH or larger.

NOTE

The negative (-) black lead is connected to the frame of the Quik Corp unit thus making this frame a negative "earth" unit.

DO NOT ATTACH TO ANY POSITIVE EARTH MACHINERY

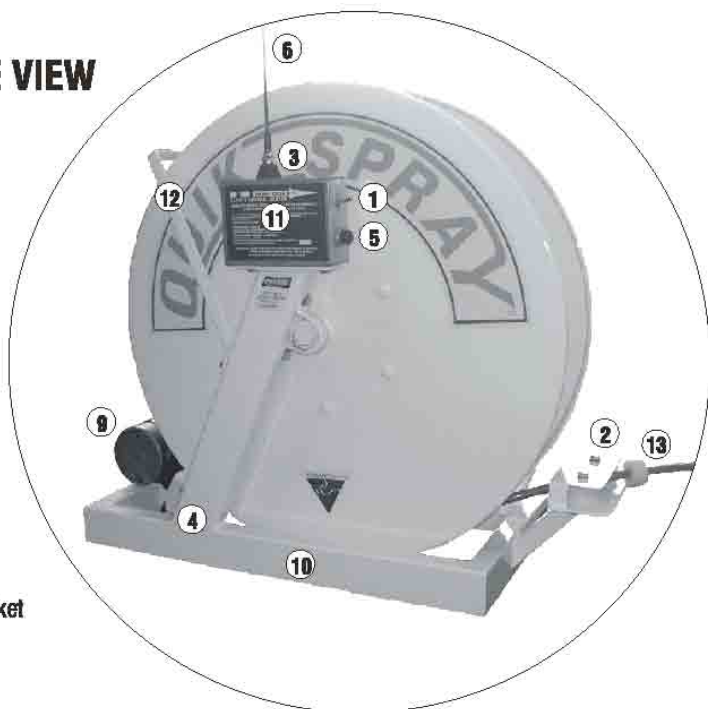
WARNING

A "fusible link" (80amp.) must be connected in the main power lead at battery end, to prevent fire in the case of accidental short circuit.

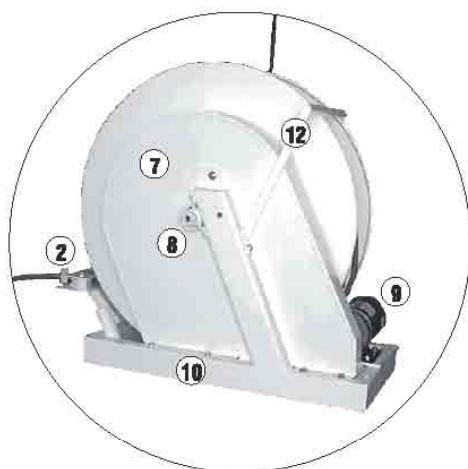
(For hard wiring to vehicle battery)

RADIO SIDE VIEW

1. On/off switch
2. Hose guide
3. Aerial base
4. Connecting block
5. Manual button
6. Aerial
7. Chain guard
8. Reel inlet
9. 12V DC motor
10. Mounting point
11. Radio box
12. Hose protection bracket
13. Hose stopper



RADIO FRONT VIEW



CHAIN GUARD VIEW

BASIC OPERATION

Ensure all set-up instructions are complete.

When ready to operate turn radio switch (1) on, and carry transmitter with operator. The Quik Reel will free-wheel out to desired distance.

CAUTION: Do not pull hose out too fast, as reel may "run on", causing hose to become tangled. We recommend to pull hose out at a steady walking pace. When ready, press and hold button in on transmitter to retract hose back to unit. Ensure hose is always in front of the operator.

To operate transmitter for retraction, the operator must be at least 2-3 meters away from the unit. Use manual button to retract slack hose within 2 meters of the unit.

CAUTION: Be ready to release button when approaching reel, as injury may result. This unit has been designed to operate in a continuous start/stop mode without damage to the unit. Keep tension on hose when rewinding.

For manual operation of reel, press button (5), to re-wind.

HINTS

Turn radio switch off and disconnect from battery when not in use.

If hose becomes caught, release button immediately or damage to motor could result.

Keep machine under cover when not in use.

A low power or voltage battery will cause weak or intermittent operation of the unit's motor.

TUNING TRANSMITTER TO RECEIVER

Connect power to the Quik Corp 12VS.

Connect battery to transmitter but leave out of plastic case.

Plug the red "tuning lead" into socket inside transmitter.

Plug other end into socket on receiver board inside radio "box". The red light should illuminate on the transmitter.

Hold down transmitter button until red light stops flashing (3 seconds) then release button.

The transmitter is now tuned to the receiver.

Disconnect the red wire. Test, but make sure the hose is pulled out 5 metres to allow for retraction.

Note: If needed, the receiver code may be reset by "short circuiting" the two pins sticking up next to the 28 pin black "computer chip".

MAINTENANCE

DAILY	Check battery condition, water level and voltage (12v) All safety guards and decals are in place. Inspect all bolts, nuts and hose fittings. (no leaks) Aerial tight to base, and in good condition. (3)
20 Hrs	Remove chain guard (7) and check chain tension. Grease reel swivel. (Do not over-grease)
200 Hrs	Replace 9 volt transmitter battery. (216-9v) Grease all bearings. (do not over-grease) Motor brushes must be checked by auto-electrician yearly.

TROUBLESHOOTING

PROBLEM	PROBABLE CAUSE	REMEDY
<i>Reel does not retract and manual button does not work.</i>	Switch (1) not "on" or faulty. Discharged 12V battery. Loose connection on 12V battery. Blown fuse.	Switch on or replace. Re-charge. Secure. Replace with 10amp fuse.
<i>Reel does not retract and manual button works.</i>	Discharged transmitter battery. Faulty receiver or transmitter. Digital code not synchronised.	Replace (216-9V). Return to factory. Tune radio as per Instructions on previous page.
<i>Reel only retracts at a close distance.</i>	Discharged transmitter battery. Aerial broken or loose on base. Coax broken inside aerial base. Discharged 12v battery. Faulty receiver or transmitter. Aerial braid not connected to negative supply.	Replace (216-9V). Tighten or replace. Repair. Re-charge. Return to factory. Reconnect.

WARRANTY POLICY

Quik Corp warrants to its authorised Dealer, who in turn warrants the original purchaser (Owner to) that each new Quik Corp unit, part or accessory will be free from proven defects in material and workmanship for (12) months after delivery to the Owner according to the conditions outlined.

This warranty does not cover damages resulting from abuse, accidents, alterations, normal wear or failure to maintain or use the Quik Corp product with due care.

During the warranty period, Quik Corp, or its authorised dealer, shall repair or replace, at Quik Corp's option, without charge for parts or labour, any part of the Quik Corp product which fails because of defects in material or workmanship. The owner must provide to Quik Corp or the authorised Dealer with prompt written notice of the defect (within 14 days of occurrence) and allow reasonable time for replacement or repair.

Quik Corp (at its option) may request failed parts to be returned to the factory. Any travel time of a service technician and/or transportation of the Quik Corp product to the authorised servicing Dealer for warranty work are the responsibility of the owner.

This warranty is in-lieu of all other warranties (except those of title), expressed or implied, and there are no warranties of merchantability or fitness for a particular purpose. In no event shall the authorised Dealer or Quik Spray be liable for downtime expenses, loss of chemical, loss of machine use or other incidental, consequential or special damages.

Certain brands of pumps and motors used, may carry additional warranties and conditions. Check these warranties supplied from these manufacturers for detailed information .

WARRANTY REGISTRATION FORM

THIS FORM MUST BE COMPLETED AND RETURNED TO:

**QUIK CORP PTY LTD
37 PRODUCTION AVENUE
WARANA QLD 4575**

WITHIN 14 DAYS OF TAKING DELIVERY OF THE UNIT.

ONLY WHEN THIS REGISTRATION FORM IS COMPLETED AND RETURNED,
CAN QUIK CORP FULFIL ALL WARRANTY OBLIGATIONS.

PRODUCT INFORMATION

QUIK CORP MODEL/TYPE:

SERIAL NUMBER:

DEALER NAME (if applicable):

PURCHASE DATE:

PURCHASER DETAILS

COMPANY NAME:

TITLE (Mr/Mrs/Ms): SURNAME:

GIVEN NAME:

POSTAL ADDRESS:

TOWN (OR CLOSEST):

TELEPHONE: FAX:

AFFIX
STAMP

**QUIK CORP Pty Ltd
37 Production Ave.
WARANA QLD 4575
AUSTRALIA**

CONDITIONS OF WARRANTY

- > The warranty is only available to the first purchaser and is non-transferable.
- > The Warranty Registration Form (see over) must be returned to Quik Corp (Aust) Pty Ltd, 37 Production Ave Qld. 4575 Australia, within 14 days of taking delivery of the unit. Only when the warranty registration form is completed and returned, can Quik Corp Pty Ltd fulfil all warranty obligations.
- > Components and conditions not covered by warranty are:

Abuse - Failure resulting from neglect, such as improper operation, lack of required maintenance or continued use of the unit after the discovery of a defect which results in greater damage to the unit.

Environmental - Deteriorated or failed components such as: diaphragms, O-rings, seals, electrical wiring and connections caused by corrosive chemicals, dirt or sand, excessive heat or moisture. Owners should ensure the type and strength of chemicals used in the unit are compatible with the unit.

Normal wear - Normal wear and consumable items such as: oils and lubricants, diaphragms, filter elements, clutches, drive belts pivot pins, paint, batteries, and nozzles are considered to be normal wear items and are not warranted.

Maintenance - Component failure caused by not performing scheduled maintenance service such as: oils, grease, failure to clean tanks, spray lines, nozzles, or any components. Not tightening or replacing loose or missing bolts, nuts, fittings, shields and covers.

Damage - Damage or machine failure caused by careless or accidental damage, improper operation, inappropriate transportation or storage of the unit.

Power Source Failures - due to faulty or inadequate electrical sources of power. Owners who use their own 12 volt source must ensure it is suitable for operating the equipment.

Alterations - Any unauthorised alteration, modification, attachments or unauthorised repairs to the Quik Corp unit. Written approval must be obtained from Quik Corp (Aust) Pty Ltd for any such items to maintain warranty.

Removal & Installation - The time taken to remove and re-install a warranted part or component into other brand equipment will not be covered by Quik Corp Pty Ltd warranty. Only parts and labour directly attributable to the repair of the Quik Corp unit are covered.

Clean up time - Quik Corp Pty Ltd does not pay for cleaning the unit, parts or accessories, or work area before or after the warranty repair. Clean up time is affected by the application or condition in which the unit is operated and maintained. Since clean-up time can be so variable, cleaning time should be considered an Owners expense.

Transportation - Warranty does not cover transportation or insurance costs for units or other equipment requiring repair or replacement of warranted components. Nor does it cover any freight or insurance costs in obtaining new parts or returning old parts to Quik Corp for inspection purposes.

Travel Time - Travel time required for warranty repairs is the responsibility of the Owner.

Diagnostic Time - Warranty does cover time required to diagnose a warranty problem. Diagnostic time is affected greatly by the training and expertise of the technician employed to do the job. Since Quik Corp Pty Ltd is not in control of this factor, we do not cover the diagnostic time.

Non-Genuine Parts - Use of parts other than Quik Corp Pty Ltd parts for repair of warranted parts will automatically negate any warranty. Warranted components must be replaced with genuine Quik Corp Pty Ltd repair parts.

Unauthorised Repairs - Warranty repairs must only be carried out by an authorised Quik Corp Pty Ltd technician or Dealer.

remote control retractable hose reel systems



Quik Corp Pty Ltd

37 Production Avenue
WARANA QLD 4575

Ph: 07 5493 8944 Fax: 07 5493 8957

Manufacturer of

QUIKBLAST

QUIKSPRAY

QUIKREEL

